

Jaw block accessories

for GN 864 / GN 865 / GN 866 pneumatic fastening clamps

SPECIFICATION

Steel C45
blackened

INFORMATION

Clamping jaws GN 872 are designed to be modified by the user into individual clamping designs, such as prisms and radii. They are also suitable for welding. The fastening thread and centering bores are adapted to the dimensions of the clamping arms and static holders to enable quick and easy assembly.

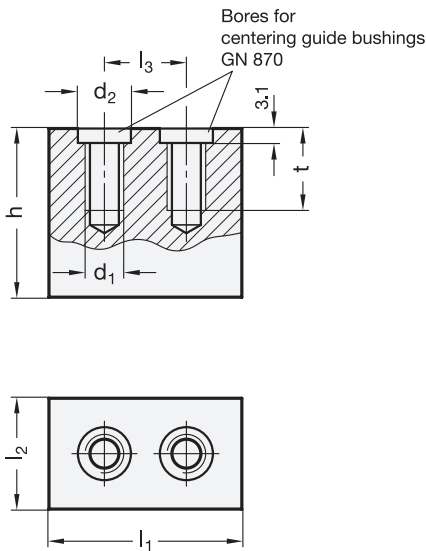
GN 870 (see page 1645) centering guide bushing accessories are **not** included.

ACCESSORY

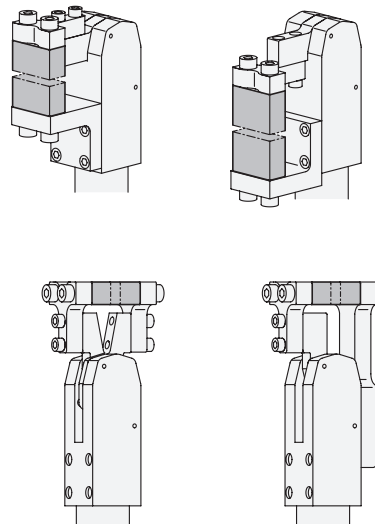
- GN 870 centering guide bushing accessories (see page 1645)

TECHNICAL INFORMATION

- ISO-Fundamental Tolerances (see page A21)



Mounting examples



GN 872

Description	l1	h	d1	d2 H8/h6	l2	l3 ±0.01	t	ΔΔ
GN 872-30-25	30	25	M 6	9	13	17	8	80
GN 872-30-50	30	50	M 6	9	13	17	8	150
GN 872-40-35	40	35	M 8	11	17	23	12	180
GN 872-40-70	40	70	M 8	11	17	23	12	370
GN 872-50-45	50	45	M 10	13	20	30	15	350
GN 872-50-80	50	80	M 10	13	20	30	15	620
GN 872-60-50	60	50	M 10	13	20	40	15	470
GN 872-60-85	60	85	M 10	13	20	40	15	800

